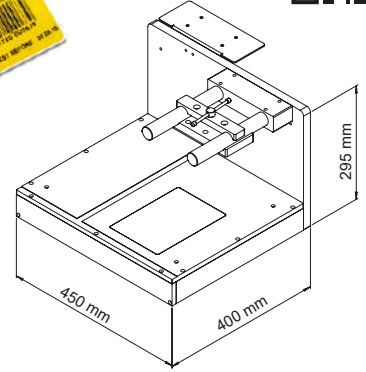
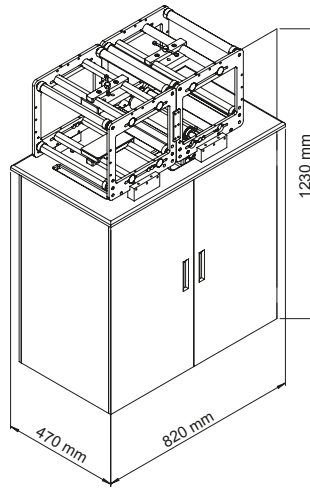


## FOOT PEDAL SYSTEM



Specifications	Foot Pedal System
Min. Width of Product	Depend on printer type and print area location of the product
Max. Width of Product	All packages that can be hand-held, provided that they are greater than the specified minimum dimensions.
Integrable Printers	32mm, 53mm, 107mm, 128mm Intermittent Printers
Control Type	Pedal (Manual) Control
Weight	24 Kg
Dimensions	295mm H x 450mm W x 400mm D

## DEMO STAND



Specifications	Demo Stand
Min. Width of Product	80 mm
Max. Width of Product	140 mm
Max. Film Diameter	300 mm
Belt Speed	50-800 mm/sec
Power	100-120V 50-60 Hz 200-240V 50-60 Hz
Weight	100 Kg
Dimensions	1230mm H x 820mm W x 470mm D
Advanced Control	Intermittent and Continuous Mode, Changeable Contact Quantity, Changeable Speed