



# Quantum

## The Most Affordable Continuous Ink Jet Printer

Print real-time “Best By,” “Lot Code,” “Sell by,” “Expiration Codes” and other identifying marks and codes to any substrate.

The Quantum is a high speed printing system capable to print 1-5 lines of text, barcodes and graphics.

A complete range of dye and soft pigmented inks are available in a variety of colors for a wide range of applications.

Typical applications mark and code one, two or three shifts per day or 24/7 operations, five to seven days per week, averaging 4,000–8,760 hour annual operation. Utilize integrated RS232 and programmable inputs/outputs for remote control and communications.

The easy to use Quantum is simplified to allow anyone to operate, minimizing operator touches, extending time between human interaction.



bestCode  
continuous innovations

### PRINT CAPABILITIES

#### LINES OF PRINT—

1, 2, 3, 4 or 5 lines of text, graphics and barcodes.

#### IMAGE HEIGHT—

from .10" (2 mm) to .70" (18 mm).

#### NON-CONTACT PRINTING—

ink throw distances from .5" (12 mm) up to 2" (50 mm).

#### PRINT SPEEDS—

up to 1500 feet/minute

(470 meters/minute) for single line of print, up to 345 feet/minute

(108 meters/minute) for two lines of print, up to 173 feet/minute

(54 meters/minute) for three lines of print, up to 114 feet/minute (35 meters/minute) for four lines of print.

- **AutoClean™**—automatically cleans printhead eliminating daily and weekly cleanings.
- **10.4" Color Touch Screen**—always on, vivid display with large intuitive buttons and status indicators.
- **OneTouch™**—single step operator functions reduce operator steps.
- **On-the-Fly External Ink Filling**—accomplished in less than a minute with no waste.
- **AutoOff™ Go Home Button**—automate and eliminate time consuming end of day manual routines.

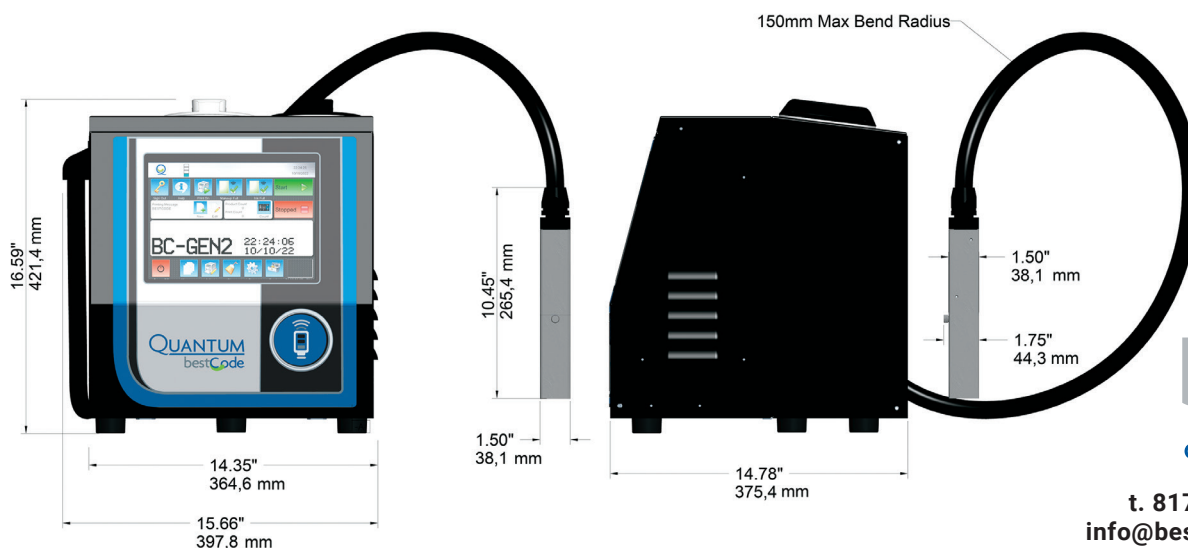
## THE CLOSER YOU LOOK

The Better BestCode Looks!



# Model Quantum Specifications

|                         |   |
|-------------------------|---|
| Printhead               | Continuous Ink Jet (CIJ) Technology, Single Printhead Control   |
| User Interface          | 10.4" (264 mm) Color LCD, Touch Screen, Icon based – Graphical User Interface (GUI)   |
| Lines of Print          | 1 - 5 Lines, 32 Pixel   |
| Print Fonts             | 5, 7, 9, 12, 16, 19, 25, 32   |
| Electronic Hardware     | 32 Bit ARM 9, 208 Mhz Processor   |
| Storage                 | 4GByte Solid State Drive, 16 MByte Flash, 128 MByte RAM, USB Interface (thumb drive)  |
| Inputs                  | 2 Photocells, 1 Shaft Encoder   |
| Outputs                 | 4 Programmable Alarm Outputs (open collector,150mA sink), 1 Relay Output  |
| Enclosure Material      | Industrial Powder Coated Galvanized Steel   |
| Ingress Protection      | IP55  |
| SmartFilter™ Life       | 2,000 operation hours   |
| Operating Environment   | Temperature: 32° - 122° F (0° - 50°C), % Relative Humidity: 10 - 90% (non-condensing)   |
| Electrical Requirements | Auto Ranging: 100 - 240 VAC (3 Amp), Frequency 50 - 60 Hz, Power Consumption: 50 W  |
| Compliance              | CE Certified, RoHS Compliant  |
| Message / Code Creation | Dynamic Message Storage (over 100 Messages), WYSIWYG Message Editing, Drag / Drop Field Based Formatting, Multi-National (Unicode) Character Printing, Download Fonts, Integrated Font Editor, Real and Expiration Time and Date, Shift and Rollover Functions, Product and Batch Counting, Download Graphics and Integrated Editor, Continuous and Repeat Print Capability, Barcode, Cable Stripping |
| Operation Features      | Icon Based Operation, Single Button Start, Single Button Stop / Power Off, Password Security, Automatic Diagnostics, Error and Activity Logs, Service Reminders, Backup / Restore Functions, Downloadable Software Updates, Multiple Operator Languages, Download Language Transitions  |
| Ink Delivery            | SmartFill™ Ink Bottle: 32 oz (946 ml), SmartFill™ Makeup Bottle: 32 oz (946 ml)   |
| Fluid Capacity          | Ink Capacity: 32 oz (946 ml), Makeup Capacity: 32 oz (946 ml)   |
| Ink Types               | Quick Dry to Immediate. Complete Ink Range: MEK, Acetone, Ethanol and Blends  |
| Ink Colors              | Black, Red, Blue, Green, Yellow, Orange   |
| Specialist Inks         | Thermo Color Change, Wet Bottle, Caustic Washable, Plastic, Eco-Friendly, Alcohol Resist, Military Spec.  |
| Printhead Umbilical     | 10 feet (3 meters)  |
| Ink Throw Distance      | True Non-Contact Printing, .5" (12 mm) - 2" (50 mm)   |
| Print Speed Capability  | 1 Line: 1500 feet/minute (470 meters/minute), 2 Line: 345 feet/minute (108 meters/minute), 3 Line: 173 feet/minute (54 meters/minute), 4 Line: 114 feet/minute (35 meters/minute)   |
| Weight                  | 45 lbs (20 kg)  |
| Optional Accessories    | Alarm Beacon, Photocells, Mountings, Shaft Encoder, AirFlow™ Positive Air Kit (for high dust), Printhead Wash Station   |
| Warranty                | 2 Year Limited Manufactures Warranty  |



By request, BestCode can adapt hardware and software to meet specific application demands.

**bestCode**  
continuous innovations

t. 817.349.8555 | f. 817.349.8480  
info@bestcode.co | www.bestcode.co