

SAVEMA 20 i&c&tr SERIES THERMAL TRANSFER OVERPRINTERS

53*1000 TR
107*1000 TR



Common Specifications for All Printers

Software: SAYASIS Template Design (Date and Time, Custom Formatted Date and Time, Text, Text Block, Merge Fields, Database Support, Counter, Logo, 1D / 2D Barcodes, GS-1 Barcodes, Table Creation Support and User-Friendly Interface)

Windows Driver Support, Teklynx Software (Code-soft, Labelview and Label Matrix Support), Emulator Support, Printer Management with SPPL (Savema Protocol) Commands, Printer Control with Remote Control)

Barcodes: 1D Barcodes (EAN-13, EAN-8, CODE 128, CODE 39, CODABAR, ITF 2of5, ITF 14, UPC-A, UPC-E ...), 2D Barcodes (Datamatrix, QR Code, PDF417, Aztec code...), GS-1 Barcodes (GS1-128, GS1-Datamatrix, GS1-Databar Barcodes)

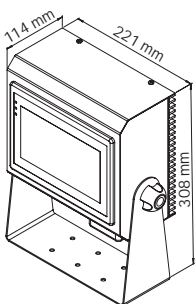
Resolution: 300dpi (12 dots/mm) horizontally and vertically

Operating Temperature: 1 °C - 55 °C (34°F-131°F)

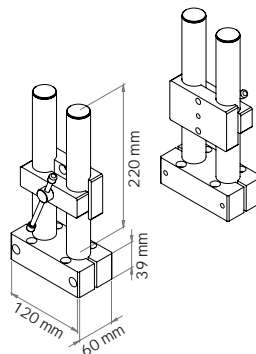
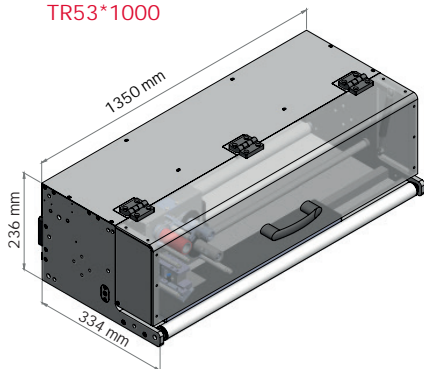
Memory: Max. 5000 Template Storage Capacity, 1GB Internal Memory, Up to 16GB SD Memory Card Support, Up to 32GB USB Memory Support



Specifications	53*1000 TR (Traverse)	107*1000TR (Traverse)
Print Area	53mm x 1000mm	107mm x 1000mm
Print Speed	50 - 400 mm/sec	
Ribbon Widths & Length	55mm, 110mm, (2,2" - 4,28") & 1000 meters (1093yards) loaded ribbon	
Power Supply	100-240V 50-60 Hz	
Air Supply (Bar)	Min. 1 bar - Max. 4 bar	Min. 2 bar - Max. 4 bar
Input/Outputs	Print Signal/Fault Signal, Busy Signal	
Output Messages	Update Error, Contact Error, Ribbon Break / Not Found Error, Number of Printed Templates, Number of Prints per Minute	
Connection Types	Relay(NPN, PNP) - Photocell(NPN, PNP)	
Communications	RS-232, Ethernet, USB	
Advanced Control	7" Touch Screen Control, Template Changing while Running, Print Position Adjustment, Contrast, Print Delay, Template-Specific Adjustment, Internal Contact Signal, Multi-print Contact Signal, Template Shifting, Template Rotation	
Operator Interface	7" 800x480 Pixels Resolution, Full-color display, Password protection on menus, Multi-language(18) support	
Weight (Printer)	32	34
Dimensions	236mm H x 334mm W x 1350mm L	236mm H x 391mm W x 1350mm L



TR53*1000



TR 107*1000

